



**The solution for large koi ponds.** Koi pond owners know that what starts as a small pond with a few koi quickly, with increasing passion becomes a larger koi pond installation. With the number of fish and use of the pond, the demands imposed on performance and convenience of the a filter system, naturally increase as well, today no one wants to make any compromises.

**The new generation ProfiClear Premium module filter system** has been developed jointly in intensive cooperation with leading european koi experts, and with its extremely reliable filter performance, its well thought-out functions, and its unusual price / performance ratio, it sets totally new standards.

It consists of three modules, drum filter module, moving bed module and individual module, the entire system even ensures clear water if the pond is extended by an additional 50m<sup>3</sup> or if their is a desire for swimming. The secret is its flexibility; depending on the use of the pond a second Moving Bed module can be connected, and the Individual module can be equipped with additional filter media. In the most uncomplicated way, this increases the overall filter capacity and large bodies of water, such as natural ponds and swim ponds up to 200m<sup>3</sup> remain clear.

**Discover the versatile functions and convincing advantages of this system; it remains unique in its class!**

ProfiClear Premium	Fresh Water	Pool Water	Sea Water	220-240 V	400 V	110-120 V	50 Hz	60 Hz
Individual Module	✓	✓	✓	✓	✓	✓	✓	✓
Moving Bed Module	✓	✓	✓	✓	✓	✓	✓	✓
Drum filter pump-fed	✓	✓	✓	✓	✓	✓	✓	✓
Drum filter gravity-fed system	✓	✓	✓	✓	✓	✓	✓	✓



[www.oase-livingwater.com/proficlearfilm](http://www.oase-livingwater.com/proficlearfilm)

## PROFICLEAR PREMIUM – SOPHISTICATED FILTER SYSTEM FOR KOI PONDS

### System advantages at a glance:

- Intelligent high end module filter system for Koi ponds and other large bodies of water to 260 m<sup>3</sup>
- Outstanding filter capacity with intelligent control functions
- Intelligent self cleaning function for unique maintenance free operation (drum filter module)
- Highly effective decomposition of pollutants and nutrients, thanks to professional filter media and moving bed process (MovingBed module)
- Flexible adaptation of the filter system to individual requirements (individual module)
- Mature, professional technology with more than 3 years of development time
- Innovative and reliable product  
»made in Germany\*« \*Except pressure pump



### ProfiClear Premium sieve

- Accessories for the Drum Filter Module
- At 150 µm, ensures removal of coarser debris and thus reduces water consumption
- Ideal for use on natural ponds or swim ponds

ProfiClear Premium sieve

Order no.

50947

## DRUM FILTER MODULE



Intelligence sets the pace. The intelligent switch centre removes coarse debris to 60 µm – i.e. finer than a hair.

- Maximum partial removal to 60 µm and flow-through rates to 25 m<sup>3</sup>/h for a crystal clear view
- Automatic self-cleaning offers maximum convenience
- Rinsing is executed with cleaned pond water, a water connection is not required
- A watertight microcontroller system monitors and controls the main functions, operation is as easy as child's play (Plug & Play)
- Control system with retrospective display of errors in running operation, as well as adjustment possibilities for forced cleaning, duration of cleaning and supplemental cleaning
- Pollutant rakes on the sieves reliably remove string algae and other larger particles from the drum
- Pollutant trough made of ductile EPDM

material prevents jamming of larger particles

- VDE testing certifies reliable and safe functions
- Flexible implementation possibilities; can be used in the gravity fed system, as well as in the pump fed system
- Safety level switch in the pumped system prevents jamming due to debris particles
- Stable housing thanks to solid stainless steel elements and dimensionally stable Duroplast
- Individually removable sieve elements (no tools required) and free-wheeling functions for easy access to the drum
- Incomparably quiet through extensive noise damping
- Powerful, high quality pressure pump is integrated for flushing the drum
- Full flexibility for the connection with up to 4 x DN 110 inlets (1 x optional)
- Screen elements in 150 µm mesh width optionally available as accessories

## MOVING BED MODULE



POWERED BY  
**Hel-X**

Hel-X ensures optimum media circulation, Original Hel-X biomedium are highly effective at degrading pollutants in the moving bed process.

- Extremely large, protected settlement surface for microorganisms (704 m<sup>2</sup>/m<sup>3</sup>)
- Innovative bypass technology for optimal movement of the Hel-X bioelements, even at high flow rates
- Removal of toxins, such as ammonium / ammonia and nitrite.
- Hel-X Biomedium: 50 l decompose approx 300 g of fish food per day. Its performance depends on temperature, feed quality and degree of settlement of microorganisms
- Aerator bar for optimal oxygen enrichment and turbulence already installed
- Advantages of the moving bed process: Permanent, optimal oxygen supply; self-cleaning effect from dead biomass, know-how from industrial water treatment
- Integrated bottom drain with high-quality, finely engineered slide valve



Integrated aerator can be connected to AquaOxy aerator pumps.



Biological surface for settlement of the microorganisms (left – biomedium that has not yet been used, right – with settled microorganisms).

## INDIVIDUAL MODULE





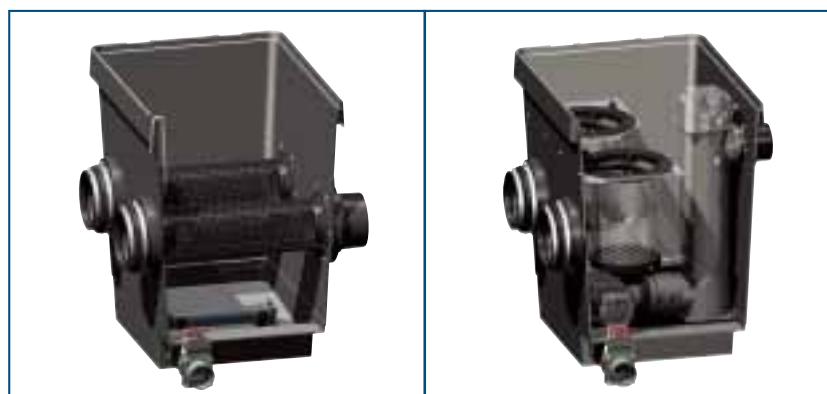
Flexible with maximum effectiveness. The filter system is flexibly aligned to the individual conditions of the body of water.

- Space-saving pump and UVC chamber for easy integration of: AquaMax Eco Gravity filter pumps and Bitron Gravity UVC clarifiers
- Maximum flexibility in the connection through DN 110 and 2" ducts
- To increase the filter capacity, it is possible to fill the 2 individual baskets in the flow area with additional filter medium up to 8 litres fill volume
- Integrated bottom drain with high-quality, finely engineered slide valve



Convenient filling of the 2 individual baskets with up to 8 litres fill volume.

		<b>NEW</b>	
			
<b>ProfiClear Premium</b>		<b>1</b> ProfiClear Premium Drum filter pump fed	<b>1</b> ProfiClear Premium Drum filter gravity fed system
Description		<ul style="list-style-type: none"> <li>• Filter capacity to 60 µm and 25 m³/h flow through</li> <li>• Automatic self cleaning</li> <li>• A watertight microcontroller system monitors and controls the main function</li> <li>• VDE testing certifies reliable and safe functions</li> <li>• Gravity fed system only: Full flexibility for the connection with up to 4 x DN 110 inlets</li> <li>• Safety level switch in the pumped system prevents jamming due to debris particles</li> <li>• Massive stainless steel elements</li> <li>• Individually removable sieve elements (no tools required) and free wheeling function</li> <li>• Incomparably quiet</li> <li>• High quality pressure pump is integrated for flushing the drum</li> <li>• Filter capacity to 60 µm and 33 m³/h flow through</li> </ul>	
Dimensions (L x W x H)	[mm]	830 x 600 x 820	
Rated voltage		230 V / 50 Hz	
Power consumption	[W]	5	
Power consumption cleaning	[W]	1090	
Cable length	[m]	2.00 + 5.00	
Net weight	[kg]	70.00	
Control unit		Microcontroller	
Temperature display		Digital	
Coarse debris extraction	[µm]	60.00	
Number of nozzles / flush quantity		4 x 2.5 l / min	
Flush pump		6 bar	
Flush automation		Sensor, time interval, manual	
Number of sieve elements	[EA]	8	
Filter intake surface	[cm²]	4200	
Material		GRP Duroplast / stainless steel	
Number of inlets	[EA]	2	4
Connections, inlet	[mm]	50	–
Connections, inlet		2"	DN 110
Number of outlets	[EA]	2	
Connections, outlet		DN 150	
Connections, sludge discharge		DN 75, DN 110	
Connection, flush trough		DN 110	
Connection to		Bitron Eco, Bitron C	Bitron Gravity
Min. flow rate	[l / h]	10000	
Max. flow rate	[l / h]	25000	33000
Install height above the water level	[cm]	40	13
Type of use		Pump fed system	Gravity fed system
Other		Pollutant discharge incl. slide valve	
<b>Order no.</b>		<b>50773</b>	<b>56774</b>



ProfiClear Premium		2	3
		ProfiClear Premium Moving bed module	ProfiClear Premium Individual module
Description		<ul style="list-style-type: none"> <li>Extremely large, protected settlement surface for microorganisms (704 m<sup>2</sup>/m<sup>3</sup>)</li> <li>Innovative bypass technology for optimal movement of the Hel-X bio-elements</li> <li>Removal of toxins, such as ammonium / ammonia, nitrite and nitrate</li> <li>50 l of Hel-X decompose approx. 300 g of fish food per day (can be extended to 100 l / module)</li> <li>Aerator bar for oxygen enrichment and turbulence already installed</li> <li>Permanent, optimal oxygen supply; self-cleaning effect from dead biomass</li> <li>Integrated bottom drain with high quality, finely engineered slide valve</li> </ul>	<ul style="list-style-type: none"> <li>Space saving pump and UVC chamber for</li> <li>Maximum flexibility in the connection through DN 110 and 2" ducts</li> <li>To increase the filter capacity, it is possible to fill the individual baskets in the flow area with additional filter medium up to 8 litres fill volume</li> </ul>
Dimensions (L x W x H)	[mm]	830 x 600 x 820	
Net weight	[kg]	44.00	37.00
Biological filter surface	[m <sup>2</sup> ]	43.0	–
Biolog. filter surface protected	[m <sup>2</sup> ]	35.5	–
Individual granulate filter		–	2 x 8 litres
Number of sieve elements	[EA]	–	2
Material		GFK Duroplast	GRP / stainless steel
Number of inlets	[EA]	2	
Connections, inlet	[mm]	180	
Number of outlets	[EA]	2	
Connections, outlet		–	50
Connections, outlet		DN 150	2", DN 110
Connections, sludge discharge		DN 75	
Min. flow rate	[l / h]	10000	
Max. flow rate	[l / h]	33000	
Connection to		AquaOxy 2000–4800	Bitron Gravity, AquaMax Eco Gravity
Install height above the water level	[cm]	13	
Type of use		Pump fed system, gravity fed system	
Other		Aeration pre-installed, pollutant discharge incl. slide valve	Pollutant discharge incl. slide valve
Order no.		50772	50771



Module filter ProfiClear Premium pump fed system



Module filter ProfiClear Premium gravity fed system